

Multi Jet Water Meter

- Suitable for cold (30°C) or hot (90°C) water
- MID R80 as per 2004/22/EC
- WRAS Approved (cold version)
- Internal strainer
- Super dry, sealed register
- Available with pulse output
- Suitable up to 16 Bar working pressure
- Suitable for horizontal installation

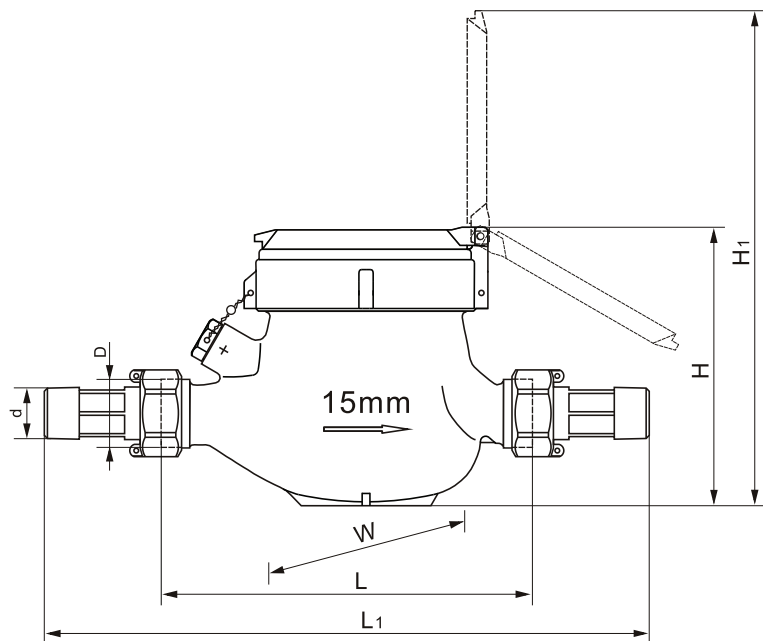


Technical Data

Dimensions

Diameter	DN	15	20	25	32	40	50
Body Thread	D	G $\frac{3}{4}$ B	G1B	G1 $\frac{1}{4}$ B	G1 $\frac{1}{2}$ B	G2B	G2 $\frac{1}{2}$ B
Connector Thread	d	R $\frac{1}{2}$	R $\frac{3}{4}$	R1	R1 $\frac{1}{4}$	R1 $\frac{1}{2}$	R2
Body Length	mm	L	165	190	260	260	300
Overall Length	mm	L1	259	294	380	384	448
Width	mm	W	94	94	98	98	122
Height	mm	H	107.5	107.5	117.5	117.5	141.5
Working Height	mm	H1	191	191	206.5	206.5	256.5
Weight	kg		1.5	1.6	2.4	2.9	5.1

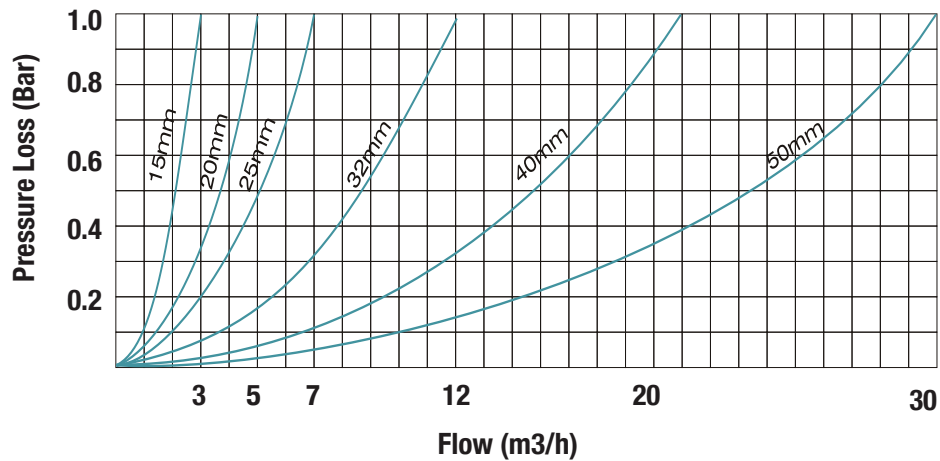
Dimensional Drawing



Flow Data

Diameter	DN	15	20	25	32	40	50	
Minimum Flowrate	Q_1	m3/h	0.0313	0.05	0.0788	0.125	0.2	0.313
Transitional Flowrate	Q_2	m3/h	0.05	0.08	0.126	0.2	0.32	0.5
Permanent Flowrate	Q_3	m3/h	2.5	4	6.3	10	16	25
Overload Flowrate	Q_4	m3/h	3.13	5	7.88	12.5	20	31.3

Pressure Loss Diagram



Accuracy Curve

